

APPLICATION:

PRODUCT NAME:
**POT FILLER 3/4" SINGLE WALL
 WITH VACUUM BREAKER**

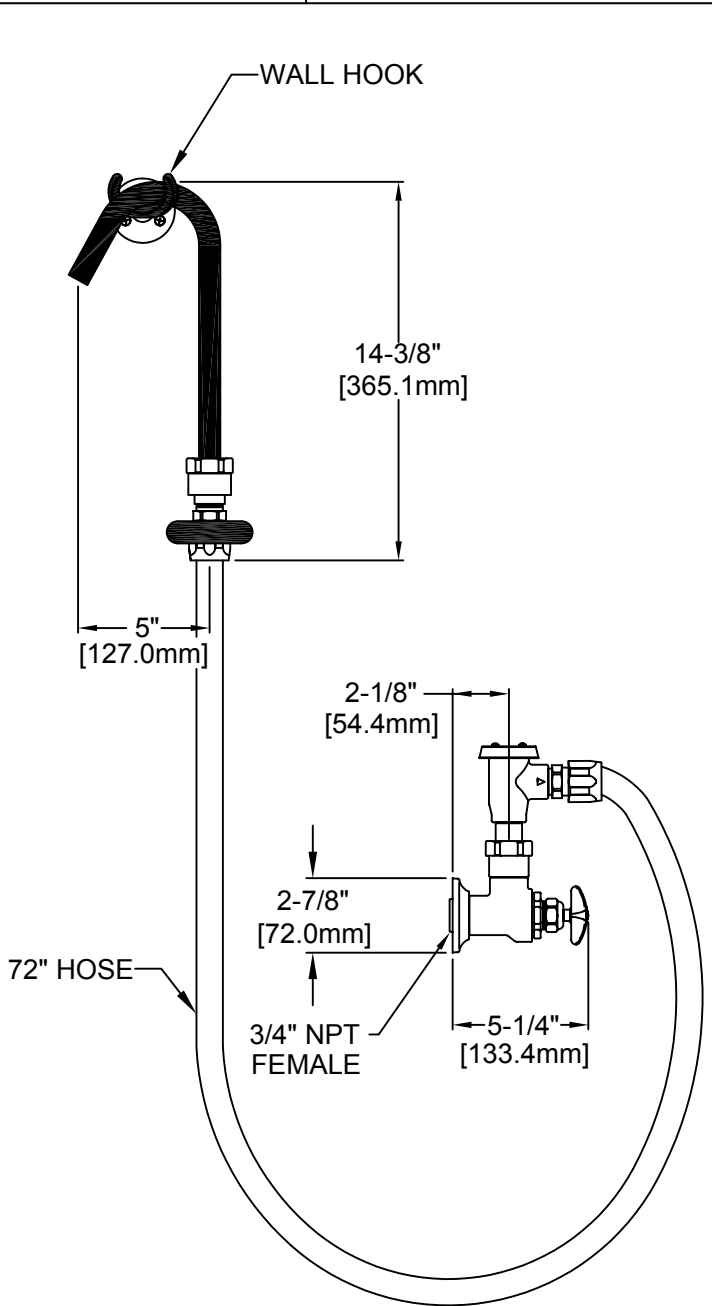
JOB NAME:

_____ SPECIAL CONFIGURATION
 (CHECK BASE MODEL AND OPTIONS)

QUANTITY:

ITEM NO.:

MODEL:
 5740



OPTIONS OR MODIFICATIONS:

VANDAL RESISTANT KIT
 HANDLES (LEVER OR WRIRST) CIRCLE STYLE
 OTHER _____

FEATURES:

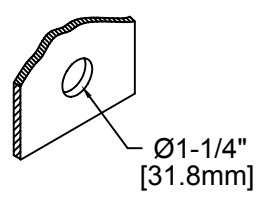
CONTROL VALVE
 * SINGLE WALL MOUNT
 * SWIVEL OUTLET
 * SWIVELING SEAT DISKS
 * STEM - RIGHT HAND
 * STAINLESS STEEL SEATS
 * STAINLESS STEEL SEAT SCREWS
 * STAINLESS STEEL HANDLE SCREWS
 * HOT & COLD INDEX BUTTONS INCLUDED

HOSE
 * 72" LG. HEAT MASTER FDA NITRILE/ARAMID
 * NSF-51 (100 PSI W.P. AT 300°F) CONSTANT
 * RENEWABLE END FITTINGS AND BUMPER
 * INLET - 360° SWIVEL SPOUT WITH VINYL FINISH
 * 360° SWIVEL GOOSENECK
 * NON-MARRING GOOSENECK
 * 360° SWIVEL ATMOSPHERIC VACUUM BREAKER
 * WALL HOOK INCLUDED

SYSTEM LIMITS
 * TEMP: 40°F MIN. TO 140°F MAX.
 * PRESSURE 200 PSI MAX. STATIC
 * 29 GPM AT 80 PSI

SHIPPING WEIGHT
 * 11.0 LBS

ROUGH-IN:



ANSI/A112.18.1M, ANSI/NSF 61.9

FISHER

FISHER MANUFACTURING COMPANY
 TOLL FREE: 800-421-6162 - FAX: 800-832-8238
 information@fisher-mfg.com - www.fisher-mfg.com